

Parts Connect®  
Parts Connect®  
Parts Connect®

# Spring 2020 HVAC/R

[www.parts-connect.com](http://www.parts-connect.com)



# TEST EQUIPMENT

## HVAC CLAMP METERS with TEMPERATURE



### CM100

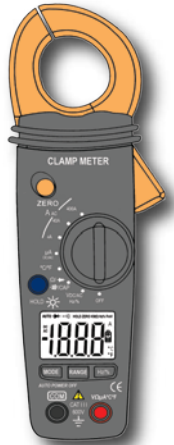
#### 1.2" Jaw Opening 1000 Amps AC

- Auto Ranging
- Temperature F/C -58° to 2372°F / -50° to 1300°C
- Capacitance 100µF
- Continuity Buzzer Sounds at 100Ω
- Diode Test: 0.3mA Open Circuit 1.5V
- 9" x 3.1" x 1.9"
- Soft Case
- Volts AC/DC 600V CAT III
- Resistance 40MΩ
- Frequency 10MHz
- Max/Min/Hold
- Instructions
- (2) AAA Batteries
- Temperature Probe

### CM200

#### 0.9" Jaw Opening 400 Amps AC

- Auto Ranging
- Temperature F/C -58° to 2372°F / -50° to 1300°C
- Capacitance 100µF
- Continuity Buzzer Sounds at 100Ω
- Temperature Probe
- Instructions
- Weight 7 oz
- Volts AC/DC 600V CAT III
- Resistance 40MΩ
- Frequency 150KHz
- Max/Min/Hold
- Diode Test: 0.3mA Open Circuit 1.5V
- (2) AAA Batteries
- Soft Case
- 8.1" x 2.75" x 1.5"
- Test Leads



## MULTIMETERS with TEMPERATURE



### TM100

#### Compact

- DC Voltage: 200mV, 2V, 200V, 1000V
- DC Current: 200µA, 2000µA, 20mA, 200mA, 10A
- Resistance: 200Ω, 2000Ω, 20KΩ, 2000KΩ
- Temperature: -58 to 2498°F (-50° to 1370°C)
- Protective Rubber Holster
- Test Leads
- Type K Temp Probe
- AC Voltage: 200V, 700V
- Audible Continuity
- 9V Battery

### TM200

#### True RMS

- Auto Ranging
- Temperature F/C -58° to 1400°F / -50° to 760°C
- Capacitance 40µF
- Continuity Buzzer
- Diode Test: 0.3mA Open Circuit 1.5V
- 7.2" x 3.2" x 2.2"
- Type K Temperature Probe
- Volts AC/DC 1000V CAT III
- Resistance 40MΩ
- Frequency 10 MHz
- Max/Min/Hold
- Instructions
- (1) 9V Battery
- Soft Case
- Test Leads



## INFRARED THERMOMETERS



### IT100

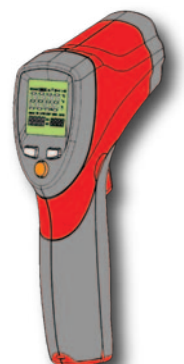
#### 8:1 Compact Laser -22 to 500°F (-30° to 260°C)

- Selectable °F/°C
- Max & Min Record
- Soft Case
- Automatic Data Hold
- 5.2" x 3.8" x 1.4"
- 9V Battery
- Backlight LCD
- 4.6 oz.
- Instructions

### IT200

#### 12:1 Compact Laser -58 to 1202°F (-50° to 650°C)

- Selectable °F/°C
- Max & Min Record
- 5.7 oz.
- Soft Case
- Automatic Data Hold
- Trigger Lock
- 9V Battery
- Backlight LCD
- 5.7" x 4.1" x 1.7"
- Instructions



# TEST EQUIPMENT

## COMBUSTIBLE GAS LEAK DETECTOR

- GD100** Detects: Natural Gas, Propane, Gasoline, Methane, Butane, Alcohol, Acetone, Naptha, Carbon Monoxide, Jet Fuel, Hydrogen Sulfide, Ammonia, Lacquer Thinner
- Pump Driven Detector can be calibrated in the field
  - Range: 10ppm
  - 16" Gooseneck Detector
  - Response: <2 sec.
  - Weight: 1.1lb.
  - Alarm: Visible & Audible
  - 8.7" x 2.8" x 1.8"



## DIFFERENTIAL PRESSURE MANOMETER

- DM100** inH<sub>2</sub>O : -55.4" to +55.4
- 11 Selectable units of measure: inH<sub>2</sub>O, psi, mbar, kPa, inHg, mmHg, ozin<sup>2</sup>, ftH<sub>2</sub>O, cmH<sub>2</sub>O, kgcm<sup>2</sup>, bar
  - 10 psi Max Pressure
  - Data Hold
  - Max/Min/Avg
  - Record Mode
  - Time Stamp
  - Zero Function
  - Low Battery Indicator
  - Backlight
  - Auto Power Off
  - Dual LCD Display
  - 9V Battery
  - Soft Case
  - Manual



## DIAGNOSTIC PSYCHROMETER

- DP100** Calculates Target Superheat (TSH)
- Target Evap Exit Temp (TEET)
  - Temperature -30 to 199°F (-30 to 100°C)
  - Type K Temp -58 to 2501°F (-50 to 1372°C)
  - MAX, MIN, HOLD Modes
  - -22 to 199°F (-30 to 100°C) Dew Point
  - 32 to 176°F (0 to 80°F) Wet Bulb
  - Selectable NTC or Type K Measurement
  - Soft Case
  - 6.2 oz.
  - 0 to 100% RH
  - 9V Battery
  - Dual Display & Backlight
  - 7.4" x 2.5" x 1.1"
  - Temperature Probe
  - Auto OFF
  - Manual



## TYPE-K DUAL INPUT THERMOMETER

- DT100** -58 to 2000°F (-50 to 1300°C)
- Differential Measurement T1-T2
  - Selectable °F/°C
  - Type-K Thermocouples
  - 9V Battery
  - Low Battery Indicator
  - Data & MAX Hold
  - Holdster & Stand
  - Manual
  - Backlight LCD
  - Auto Power Off
  - Soft Case
  - 6.5" x 3" x 1.7"
  - 14 oz.



## LOW VOLTAGE DETECTOR & LED FLASHLIGHT

- TT100** Non-contact AC CAT III detection 24 to 1000VAC
- Bright LED Flashlight with ON/OFF Button
  - Red LED light & Audible Beeper Indicator
  - For Outlets or Against Wire Insulation
  - For Use On 50/60 Hz Circuits



# 5½" 40°C BLOWER MOTORS



## ECONOMASTER 3-SPEED

### 40°C DIRECT DRIVE BLOWER MOTORS

- Sleeve Bearings
- 3 Speed
- 1075 RPM
- Reversible
- 1/2" x 4" Shaft w/Flat
- Open Enclosure
- PSC

HP	Amps	Volts	Cap.	Part No.
1/4	4.2 - 2.4 - 2.0	115	5μ	<b>PC3583</b>
1/3	5.5 - 3.0 - 2.0	115	7.5μ	<b>PC3585</b>
1/2	7.5 - 4.5 - 3.0	115	10μ	<b>PC3587</b>
3/4	10.2 - 7.3 - 4.5	115	15μ	<b>PC3589</b>
1/4	2.0 - 1.1 - 0.9	208-230	5μ	<b>PC3584</b>
1/3	2.8 - 1.7 - 1.2	208-230	5μ	<b>PC3586</b>
1/2	3.6 - 2.3 - 1.6	208-230	10μ	<b>PC3588</b>
3/4	5.5 - 4.5 - 3.2	208-230	10μ	<b>PC3590</b>

## ECONOMASTER 4-SPEED MULTI-HP

### 40°C DIRECT DRIVE BLOWER MOTORS

- 2½" Mtg Rings
- Electrically Reversible
- 10μF370V Capacitor
- 48Y Frame
- Sleeve Bearing
- 5 x 1/2" Shaft/4" Flat
- 1075RPM/4 Speed
- Automatic Overload
- 40°C

H.P.	Volts	Amps.	Body Length	Shaft Length	Part No.
1/2 - 1/6	115	7.0	4.81"	5"	<b>PC3463</b>
3/4 - 1/5	115	9.1	4.81"	5"	<b>PC3466</b>
1/2 - 1/6	208/230	3.9	4.81"	5"	<b>PC3464</b>
3/4 - 1/5	208/230	3.9	4.81"	5"	<b>PC3467</b>

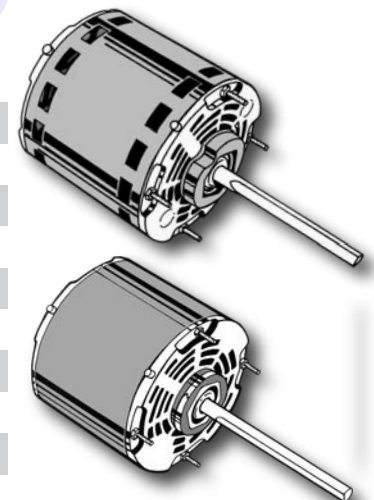


## 40°C DIRECT DRIVE BLOWER MOTORS CAPACITOR INCLUDED

- Sleeve Bearings
- 1075 RPM
- Reversible
- 1/2" x 6" Shaft w/Flat
- Open Enclosure
- PSC
- Capacitor Included in the Box

HP	AMPS	Speeds	Cap.	Length	Part No.
<b>115 Volt</b>					
1/2-1/3-1/4-1/5	7.7/5.5/4.2/3.3	4	10μ	5¼"	<b>PCD701</b>
1/6-1/8-1/10	2.5	3	5μ	4¼"	<b>PCD928*</b>
1/4-1/5-1/6	4.8/3.3/2.6	3	5μ	4"	<b>PCD721</b>
1/3-1/4-1/5	5.4/4.6/3.8	3	5μ	4¼"	<b>PCD727</b>
3/4-1/2-1/3	4.8/3.3/2.6	3	10μ	5½"	<b>PCD728</b>
<b>208-230 Volt</b>					
1/4-1/6-1/8	2.2/1.5/4.2/1.1	3	5μ	4"	<b>PCD725</b>
1/3-1/4-1/5	1.8	3	5μ	4¼"	<b>PCD923</b>
3/4-1/2-1/3	5.4/3.8/2.9	3	10μ	5½"	<b>PCD729</b>

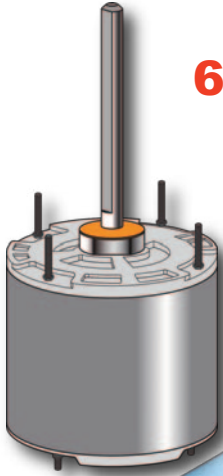
\* Shaft 1/2" X 5½"



# 5 1/2" CONDENSER MOTORS

## ECONOMASTER

### 60°C TOTALLY ENCLOSED CONDENSER MOTORS



- 208-230V
- PSC

- Ball Bearings
- Reversible

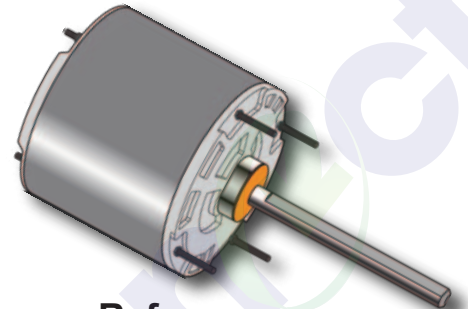
- Single Speed
- 1/2" x 6" Shaft w/Flat

HP	Amps	RPM	Cap	Part No.
1/6	1.1	825	5µF370V	<b>PC3403</b>
1/4	1.5	825	5µF370V	<b>PC3404</b>
1/3	1.8	825	7.5µF370V	<b>PC3405</b>
1/2	2.7	825	10µF370V	<b>PC3746</b>
1/6	1.3	1075	5µF370V	<b>PC3727</b>
1/4	2.0	1075	5µF370V	<b>PC3728</b>
1/3	2.5	1075	7.5µF370V	<b>PC3729</b>
1/2	3.5	1075	10µF370V	<b>PC3730</b>
3/4	5.3	1075	10µF370V	<b>PC3731</b>

## TOTALLY ENCLOSED CONDENSER MOTORS

### Capacitor Included with Motor

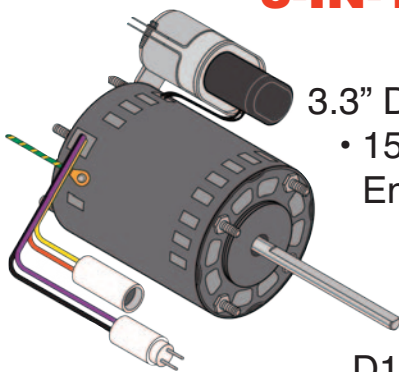
- Ideal for any angle mounting
- 208-230 VAC
- Electrically reversible
- CSA certified
- All angle mount bearings
- **Ball bearing**
- Thermally protected
- UL recognized
- Totally enclosed - both ends



HP	Volts	Amps	RPM	Body	Part No.	Reference
1/4	208/230	1.8	1075	4"	<b>PCD7909</b>	FS1026S, 43732, D7909
1/3	208/230	2.6	1075	4 1/2"	<b>PCD7908</b>	FS1037S, 43733, D7908
1/2	208/230	3.7	1075	5"	<b>PCD7907</b>	FS1056S, 43734, D7907

## 3-IN-1 BLOWER MOTOR

### PCD1127



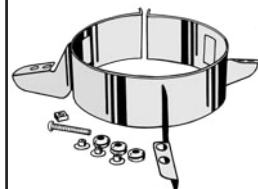
3.3" Dia. • 115/208-230V • 1 Speed  
 • 1550RPM • 1/12-1/15-1/20 HP  
 Emerson: 9650, 9651, 9652,  
 9653, 9656, 9664

Century: 9721

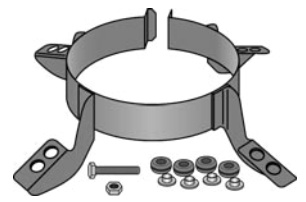
Fasco: D1101, D1103, D1122,  
 D1124, D1125, D1123, D1126,  
 D1127, D1152, D1154, PD1125,

## DIRECT DRIVE BLOWER MOUNTING KITS

For 5 1/2" & 5" motors  
 For 9" & 10" bolt circles  
 Grommets & eyelets included.



**MB55** 3 LEG



**MB55A** 4 LEG

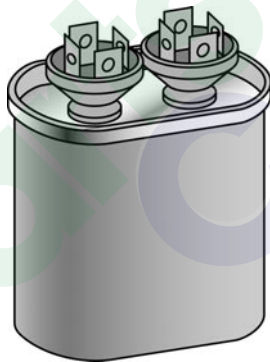
# OVAL CAPACITORS

## SINGLE OVAL RUN 370V 440V

Part No.	MFD	Part No.	MFD
<b>O2-370</b>	2	<b>O2-440</b>	2
<b>O3-370</b>	3	<b>O2.5-440</b>	2.5
<b>O4-370</b>	4	<b>O3-440</b>	3
<b>O5-370</b>	5	<b>O4-440</b>	4
<b>O5-370WS</b>	5	<b>O5-440</b>	5
<b>O6-370</b>	6	<b>O6-440</b>	6
<b>O7.5-370</b>	7.5	<b>O7.5-440</b>	7.5
<b>O7.5-370WS</b>	7.5	<b>O10-440</b>	10
<b>O10-370</b>	10	<b>O12.5-440</b>	12.5
<b>O10-370WS</b>	10	<b>O15-440</b>	15
<b>O12.5-370</b>	12.5	<b>O17.5-440</b>	17.5
<b>O15-370</b>	15	<b>O20-440</b>	20
<b>O17.5-370</b>	17.5	<b>O25-440</b>	25
<b>O20-370</b>	20	<b>O30-440</b>	30
<b>O25-370</b>	25	<b>O35-440</b>	35
<b>O30-370</b>	30	<b>O40-440</b>	40
<b>O35-370</b>	35	<b>O45-440</b>	45
<b>O40-370</b>	40	<b>O50-440</b>	50
<b>O45-370</b>	45	<b>O55-440</b>	55
<b>O50-370</b>	50	<b>O60-440</b>	60
<b>O55-370</b>	55	<b>O70-440</b>	70
<b>O60-370</b>	60	<b>O80-440</b>	80
<b>O70-370</b>	70		
<b>O80-370</b>	80		

WS = High Temperature

**Parts Connect**



## DUAL OVAL RUN 370V 440V

Part No	MFD	Part No	MFD
<b>OD55-370</b>	5+5	<b>OD105-440</b>	10+5
<b>OD1010-370</b>	10+10	<b>OD154-440</b>	15+4
<b>OD153-370</b>	15+3	<b>OD155-440</b>	15+5
<b>OD154-370</b>	15+4	<b>OD1510-440</b>	15+10
<b>OD155-370</b>	15+5	<b>OD205-440</b>	20+5
<b>OD1510-370</b>	15+10	<b>OD2015-440</b>	20+15
<b>OD1755-370</b>	17.5+5	<b>OD255-440</b>	25+5
<b>OD203-370</b>	20+3	<b>OD2575-440</b>	25+7.5
<b>OD204-370</b>	20+4	<b>OD2510-440</b>	25+10
<b>OD205-370</b>	20+5	<b>OD2515-440</b>	25+15
<b>OD2010-370</b>	20+10	<b>OD304-440</b>	30+4
<b>OD1015-370</b>	20+15	<b>OD305-440</b>	30+5
<b>OD253-370</b>	25+3	<b>OD3075-440</b>	30+7.5
<b>OD254-370</b>	25+4	<b>OD3010-440</b>	30+10
<b>OD255-370</b>	25+5	<b>OD353-440</b>	35+3
<b>OD2575-370</b>	25+7.5	<b>OD354-440</b>	35+4
<b>OD258-370</b>	25+8	<b>OD355-440</b>	35+5
<b>OD2510-370</b>	25+10	<b>OD3575-440</b>	35+7.5
<b>OD2515-370</b>	25+15	<b>OD3510-440</b>	35+10
<b>OD303-370</b>	30+3	<b>OD403-440</b>	40+3
<b>OD305-370</b>	30+5	<b>OD405-440</b>	40+5
<b>OD3075-370</b>	30+7.5	<b>OD4075-440</b>	40+7.5
<b>OD3010-370</b>	30+10	<b>OD4010-440</b>	40+10
<b>OD353-370</b>	35+3	<b>OD455-440</b>	45+5
<b>OD354-370</b>	35+4	<b>OD4575-440</b>	45+7.5
<b>OD355-370</b>	35+5	<b>OD505-440</b>	50+5
<b>OD3575-370</b>	35+7.5	<b>OD5075-440</b>	50+7.5
<b>OD3510-370</b>	35+10	<b>OD555-440</b>	55+5
<b>OD403-370</b>	40+3	<b>OD5510-440</b>	55+10
<b>OD404-370</b>	40+4	<b>OD605-440</b>	60+5
<b>OD405-370</b>	40+5	<b>OD6510-440</b>	65+10
<b>OD4075-370</b>	40+7.5	<b>OD805-440</b>	80+5
<b>OD4010-370</b>	40+10	<b>OD8075-440</b>	80+7.5
<b>OD455-370</b>	45+5		
<b>OD4575-370</b>	45+7.5		
<b>OD4510-370</b>	45+10		
<b>OD4515-370</b>	45+15		
<b>OD505-370</b>	50+5		
<b>OD555-370</b>	55+5		
<b>OD5575-370</b>	55+7.5		
<b>OD605-370</b>	60+5		
<b>OD6075-370</b>	60+7.5		
<b>OD6010-370</b>	60+10		



Capacitors are hermetically sealed for long life. The 370V capacitors replace the following voltages in MFD equivalent ratings: 236V, 250V, 285V, 330V & 350V. The 440V line will replace the 460V capacitors as all Capacitors can withstand over voltages of up to 10% of rating.

# ROUND RUN CAPACITORS

## SINGLE ROUND RUN 370V 440V

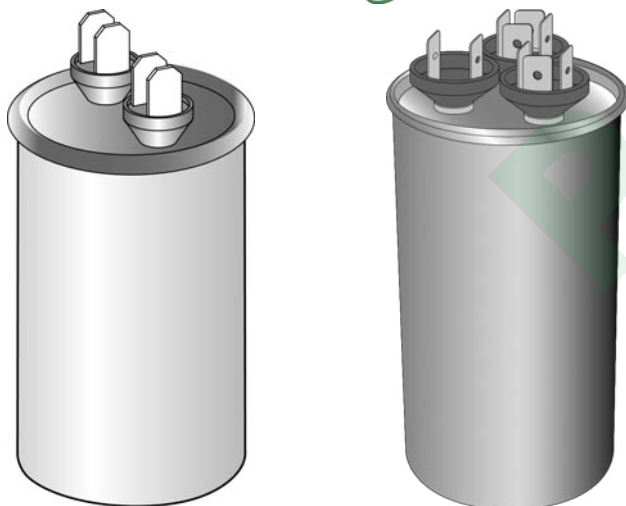
Part No.	MFD	Part No.	MFD
R5-370	5	R5-440	5
R7.5-370	7.5	R7.5-440	7.5
R10-370	10	R10-440	10
R12.5-370	12.5	R12.5-440	12.5
R15-370	15	R15-440	15
R17.5-370	17.5	R17.5-440	17.5
R20-370	20	R20-440	20
R25-370	25	R25-440	25
R30-370	30	R30-440	30
R35-370	35	R35-440	35
R40-370	40	R40-440	40
R45-370	45	R45-440	45
R50-370	50	R50-440	50
R55-370	55	R55-440	55
R60-370	60	R60-440	60
R70-370	70	R70-440	70
R80-370	80	R80-440	80
R100-370	100	R90-440	90

## DUAL ROUND RUN 370V 440V

Part No.	MFD	Part No.	MFD
RD1010-370	10+10	RD105-440	10+5
RD154-370	15+4	RD205-440	20+5
RD155-370	15+5	RD2015-440	20+15
RD205-370	20+5	RD253-440	25+3
RD253-370	25+3	RD255-440	25+5
RD255-370	25+5	RD2575-440	25+7.5
RD2575-370	25+7.5	RD2510-440	25+10
RD303-370	30+3	RD2515-440	25+15
RD304-370	30+4	RD303-440	30+3
RD305-370	30+5	RD304-440	30+4
RD3075-370	30+7.5	RD305-440	30+5
RD3010-370	30+10	RD3075-440	30+7.5
RD353-370	35+3	RD353-440	35+3
RD354-370	35+4	RD354-440	35+4
RD355-370	35+5	RD355-440	35+5
RD3575-370	35+7.5	RD356-440	35+6
RD3510-370	35+10	RD3575-440	35+7.5
RD403-370	40+3	RD3510-440	35+10
RD404-370	40+4	RD403-440	40+3
RD405-370	40+5	RD404-440	40+4
RD4075-370	40+7.5	RD405-440	40+5
RD4010-370	40+10	RD406-440	40+6
RD453-370	45+3	RD4075-440	40+7.5
RD455-370	45+5	RD4010-440	40+10
RD4575-370	45+7.5	RD453-440	45+3
RD4510-370	45+10	RD455-440	45+5
RD503-370	50+3	RD456-440	45+6
RD505-370	50+5	RD4575-440	45+7.5
RD5075-370	50+7.5	RD4510-440	45+10
RD5010-370	50+10	RD505-440	50+5
RD555-370	55+5	RD5075-440	50+7.5
RD5575-370	55+7.5	RD555-440	55+5
RD5510-370	55+10	RD5575-440	55+7.5
RD605-370	60+5	RD5510-440	55+10
RD6075-370	60+7.5	RD603-440	60+3
RD6010-370	60+10	RD605-440	60+5
RD705-370	70+5	RD6075-440	60+7.5
RD7075-370	70+7.5	RD6010-440	60+10
RD7010-370	70+10	RD60125-440	60+12.5
RD805-370	80+5	RD705-440	70+5
RD8075-370	80+7.5	RD7075-440	70+7.5
RD8010-370	80+10	RD7010-440	70+10
RD80125-370	80+12.5	RD805-440	80+5
		RD8075-440	80+7.5
		RD8010-440	80+10

OEM QUALITY  
ROUND CAPACITORS

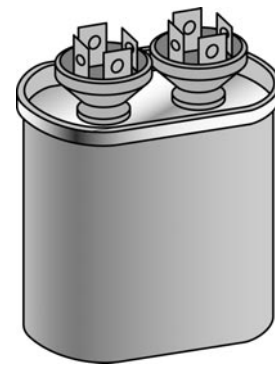
Parts  
Connect



# CAPACITORS Made in USA

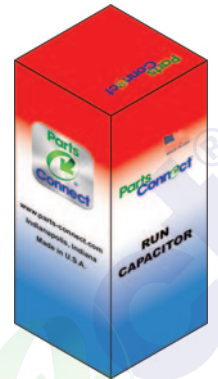
## OVAL RUN CAPACITORS

370 VOLT		440 VOLT	
Part No	Mfd	Part No	Mfd
PCO2-370A	2µF	PCO2-440A	2µF
PCO3-370A	3µF	PCO2.5-440A	2.5µF
PCO4-370A	4µF	PCO3-440A	3µF
PCO5-370A	5µF	PCO4-440A	4µF
PCO6-370A	6µF	PCO5-440A	5µF
PCO7.5-370A	7.5µF	PCO6-440A	6µF
PCO10-370A	10µF	PCO7.5-440A	7.5µF
PCO12.5-370A	12.5µF	PCO10-440A	10µF
PCO15-370A	15µF	PCO12.5-440A	12.5µF
PCO17.5-370A	17.5µF	PCO15-440A	15µF
PCO20-370A	20µF	PCO17.5-440A	17.5µF
PCO25-370A	25µF	PCO20-440A	20µF
PCO30-370A	30µF	PCO25-440A	25µF
PCO35-370A	35µF	PCO30-440A	30µF
PCO40-370A	40µF	PCO35-440A	35µF
PCO45-370A	45µF	PCO40-440A	40µF
PCO50-370A	50µF	PCO45-440A	45µF
PCO55-370A	55µF	PCO50-440A	50µF
PCO60-370A	60µF	PCO55-440A	55µF
PCO70-370A	70µF	PCO60-440A	60µF
PCO80-370A	80µF	PCO70-440A	70µF
		PCO80-440A	80µF



### Features:

- UL listed and CUL approved
- Individually boxed
- Metalized film
- Non PCB oil
- Hertz: 50/60
- Metal Cases
- Oil Filled
- Insulated terminals



## ROUND RUN CAPACITORS

### 370 VOLT DUAL ROUND RUN CAPACITORS

Part No.	Mfd	Part No.	Mfd
PCRD253-370A	25 + 3	PCRD453-370A	45 + 3
PCRD254-370A	25 + 4	PCRD455-370A	45 + 5
PCRD255-370A	25 + 5	PCRD457.5-370A	45 + 7.5
PCRD303-370A	30 + 3	PCRD4510-370A	45 + 10
PCRD304-370A	30 + 4	PCRD503-370A	50 + 3
PCRD305-370A	30 + 5	PCRD505-370A	50 + 5
PCRD307.5-370A	30 + 7.5	PCRD507.5-370A	50 + 7.5
PCRD3010-370A	30 + 10	PCRD5010-370A	50 + 10
PCRD353-370A	35 + 3	PCRD555-370A	55 + 5
PCRD354-370A	35 + 4	PCRD557.5-370A	55 + 7.5
PCRD355-370A	35 + 5	PCRD5510-370A	55 + 10
PCRD357.5-370A	35 + 7.5	PCRD605-370A	60 + 5
PCRD3510-370A	35 + 10	PCRD607.5-370A	60 + 7.5
PCRD403-370A	40 + 3	PCRD6010-370A	60 + 10
PCRD404-370A	40 + 4	PCRD805-370A	80 + 5
PCRD405-370A	40 + 5	PCRD807.5-370A	80 + 7.5
PCRD407.5-370A	40 + 7.5	PCRD8010-370A	80 + 10
PCRD4010-370A	40 + 10	PCRD8012.5-370A	80 + 12.5

### 440 VOLT DUAL ROUND RUN CAPACITORS

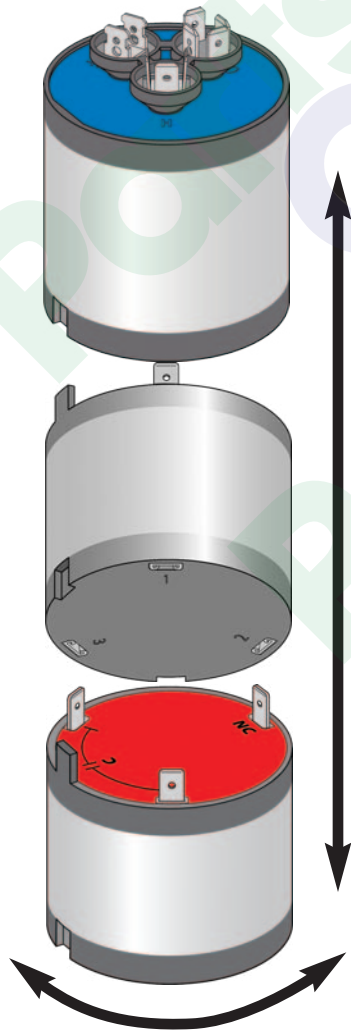
Part No	Mfd	Part No	Mfd
PCRD105-440A	10+5	PCRD407.5-440A	40 + 7.5
PCRD205-440A	20 + 5	PCRD453-440A	45 + 3
PCRD2015-440A	20 + 15	PCRD455-440A	45 + 5
PCRD255-440A	25 + 5	PCRD456-440A	45 + 6
PCRD257.5-440A	25 + 7.5	PCRD457.5-440A	45 + 7.5
PCRD2510-440A	25 + 10	PCRD505-440A	50 + 5
PCRD2515-440A	25 + 15	PCRD507.5-440A	50 + 7.5
PCRD303-440A	30 + 3	PCRD555-440A	55 + 5
PCRD304-440A	30 + 4	PCRD557.5-440A	55 + 7.5
PCRD305-440A	30 + 5	PCRD605-440A	60 + 5
PCRD353-440A	35 + 3	PCRD607.5-440A	60 + 7.5
PCRD354-440A	35 + 4	PCRD6010-440A	60 + 10
PCRD355-440A	35 + 5	PCRD6012.5-440	60 + 12.5
PCRD356-440A	35 + 6	PCRD705-440A	70 + 5
PCRD357.5-440A	35 + 7.5	PCRD707.5-440A	70 + 7.5
PCRD403-440A	40 + 3	PCRD7010-440A	70 + 10
PCRD404-440A	40 + 4	PCRD805-440A	80 + 5
PCRD405-440A	40 + 5	PCRD807.5-440A	80 + 7.5
PCRD406-440A	40 + 6	PCRD8010-440A	80 + 10



# SIGMA PRO™ CAPACITORS

**ALWAYS HAVE THE RIGHT CAPACITOR TO FINISH THE JOB THE FIRST TIME!**

- Replaces hundreds of different capacitor sizes both singles and duals.
- All units dual rated for 370/440 VAC.
- Simple to use.
- Finish the service job in just one trip. You always have the right size capacitor!
- Each pod can be used as a stand alone unit or stacked to get the MFD value needed.
- Reduces truck stock.
- Saves time and trips the parts house.
- Permanent fix. No reason to return to the job!
- Sigma Cap holds a US Patent.
- Individual pods available so you can adjust stock for your most common builds.
- Rotate and stack the pods to add capacitance on the correct side to build the dual capacitor needed.
- Starter Kits supplied in a reusable clear container.
- Made in the USA



**Parts Connect**

**Add up the numbers down each side to confirm the MFD rating!**



**SCKIT Starter KIT**

**Rotate and stack the pods to add capacitance on the correct side to build the dual capacitor needed**

Part No.	Kit Qty	Value	Body	Term	Total	Diameter
<b>SC255</b>	2	25/5 $\mu$ F	2.63	0.531	3.161	2.5
<b>SC3</b>	1	2.5 $\mu$ F	1.938	0.289	2.227	2.5
<b>SC5</b>	2	5 $\mu$ F	1.938	0.289	2.227	2.5
<b>SC10</b>	1	10 $\mu$ F	1.938	0.289	2.227	2.5
<b>SC15</b>	2	15 $\mu$ F	2.1	0.289	2.389	2.5
<b>SC20</b>	2	20 $\mu$ F	2.1	0.289	2.389	2.5
<b>SC40</b>	1	40 $\mu$ F	2.1	0.289	2.389	2.5
<b>SCEC</b>	2		ENDCAP			2.5

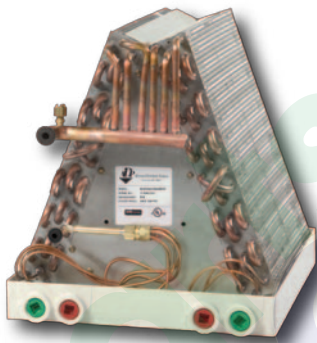
# A/C EVAPORATORS

## “A” COIL UPFLOW



- Antimicrobial Additive Resists Mold and Mildew Growth
- High Temperature Polymer UV Resistant Pan
- External Mounted Flator Metering Device
- Foil Faced Insulation • Rifled Tubing
- Left & Right Hand Service Available
- The Fitting Access Direction is Indicated with L or R at end of the Part Number (Right is also available)
- Enhanced Fin Design • Five (5) Year Warranty

## R410A 13 SEER COMPATIBLE EVAPORATORS (PISTON)



### 13 SEER UNCASED Dimensions

BTU	Steel Coil	W	D	H
24,000	<b>13U24-4L</b>	13"	19½"	11"
30,000	<b>13U30-4L</b>	13"	19½"	13"
36,000	<b>13U36-4L</b>	14"	19½"	15"
42,000	<b>13U42-4L</b>	15½"	19½"	19"
48,000	<b>13U48-4L</b>	17"	19½"	21"
60,000	<b>13U60-4L</b>	20"	19½"	25"

### 13 SEER CASED Dimensions

BTU	Model No.	W	D	H
24,000	<b>13C24-4L</b>	14½"	20½"	16½"
30,000	<b>13C30-4L</b>	17½"	20½"	16½"
36,000	<b>13C36-4L</b>	17½"	20½"	16½"
42,000	<b>13C42-4L</b>	21"	20½"	20½"
48,000	<b>13C48-4L</b>	21"	20½"	22½"
60,000	<b>13C60-4L</b>	24½"	20½"	25½"



\* The Fitting Access Direction is Indicated with L or R at end of the Part Number (Right is also available)

## EVAPORATOR COILS FOR MANUFACTURED HOUSING

- Sloped drain pan for lower water retention
- 5 year warranty on “MH” series coils
- Downflow drip shields are molded into drain pan
- Down-turned headers for easy lineset adaption
- R22 orifice factory installed. R410A compatible

Tonnage	Model	W	D	H
2.5 - 3	<b>MH36</b>	18	19½"	15
3.5 - 4	<b>MH48</b>	18	19½"	19



# A/C EVAPORATORS

## 13 SEER COPPER HORIZONTAL COILS

Side refrigerant service, bi-flow airflow, dual drains on either side with R-410A Piston & threaded TXV access port

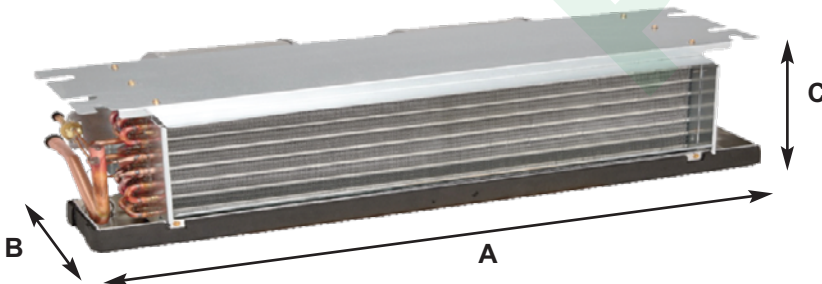
- Rifled copper tubing.
- Short cabinet with easy access.
- Lanced fin design.
- Dual 3/4" FPT condensate drains on front and back of coil allows placement to accommodate left or right airflow furnaces.
- Side panel with only six screws for fast and easy coil access
- Refrigerant connections are 3/8" ODF liquid and 7/8" ODF suction.
- Non-captive panels allow access to inside of cabinet without the need to cut refrigerant lines.



BTU	Model No.	W	D	H	Piston
24,000	<b>13H24S14</b>	14¼"	21½"	21½"	53
36,000	<b>13H36S14</b>	14¼"	21½"	26½"	67
36,000	<b>13H36S17</b>	17½"	21½"	26½"	67
48,000	<b>13H48S17</b>	17½"	21½"	26½"	76
48,000	<b>13H48S21</b>	21"	21½"	26½"	76
60,000	<b>13H60S21</b>	21"	21½"	26½"	93
60,000	<b>13H60S24</b>	24½"	21½"	26½"	93

## FUR DOWN COILS

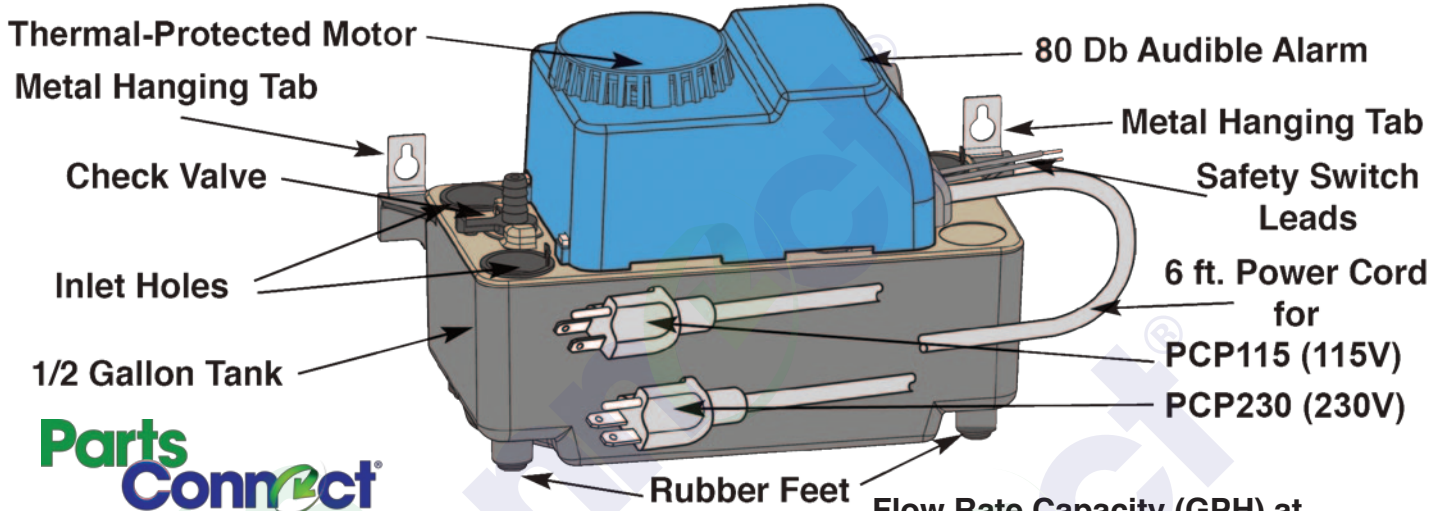
Model	Heat	A	B	C	Blower	2 Speed PSC Airflow (CFM) vs. External Static Pressure (inches W.C.)				
						0.1	0.2	0.3	0.4	0.5
<b>AH18FDNH</b>	NA	37"	19.5"	10.5"	Low	610	536	468	392	316
<b>AH18FD05</b>	5kw				High	680	607	532	456	368
<b>AH23FDNH</b>	NA	37"	19.5"	10.5"	Low	846	777	702	627	546
<b>AH23FD05</b>	5kw				High	902	830	755	667	589
<b>AH24FDNH</b>	NA	43"	20.5"	10.5"	Low	833	781	725	658	580
<b>AH24FD05</b>	5kw				High	1039	976	903	825	728
<b>AH30FDNH</b>	NA	49"	20.5"	10.5"	Low	839	771	706	644	553
<b>AH30FD08</b>	8kw				High	1050	975	900	820	744



AH\*\*FNDH - fur down AH with no heat  
 AH\*\*\*05 - 5kw heat with pull disconnect  
 AH\*\*\*08 - 8kw heat with pull disconnect

# CONDENSATE PUMP WITH AUDIBLE ALARM MAXIMUM WORK LIFT 20 GPH TO 20 FT.

Top Snaps Off for Tank Inspection



**Parts Connect**

Part No.	Volts	Amps	HP	Flow Rate Capacity (GPH) at						
				1 ft	5 ft	10 ft	15 ft	20 ft	22 ft	24 ft
<b>PCP115</b>	115	1.5	1/10	99	87	69	48	20	10	0
<b>PCP230</b>	230	0.8	1/10	96	83	64	42	12	2	0



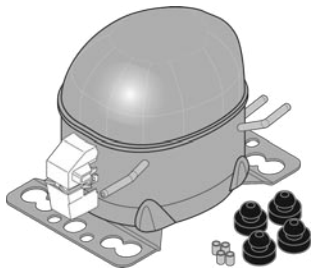
## FLOOD DETECTOR WITH AUDIBLE ALARM

A solid state device designed to detect the presence of condensate water overflow. Upon sensing moisture, the audible alarm will sound, and will turn the system off to help prevent damage to carpets, walls, woodwork, ceilings and other property. The area to be monitored can be enlarged by connecting one or more FD1 Flood Detectors in series.

**FD1**

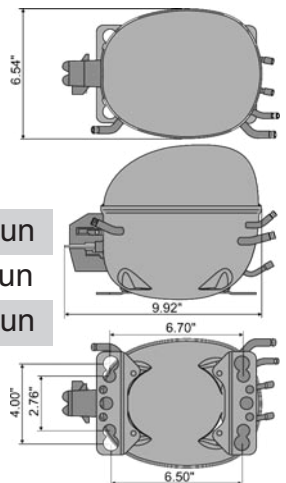
# Refrigerator Compressors

1/4 HP • R134a • 110/120V 60 Hz • LBP  
4" X 6" Footprint, Includes Electricals,  
Grommets & Sleeves. Relay (PTC) Start



Part No.	SECOPI	BTU	Style
<b>PC660L</b>	<b>NF6FK</b>	660	RSCR Relay Start (PTC) Capacitor Run
<b>PC836L</b>	<b>NF7FK</b>	836	RSIR Relay Start (PTC) Induction Run
<b>PC990L</b>	<b>NF9FK</b>	990	RSCR Relay Start (PTC) Capacitor Run

Compressor	Cu. Ft./ BTU Side X Side	Cu. Ft./ BTU Top Freezer	Cu. Ft./ BTU Upright Freezer	Cu. Ft./ BTU Chest Freezer
<b>PC660L</b>		10-12 ft <sup>3</sup> (650)	14 ft <sup>3</sup> (685)	7-12 ft <sup>3</sup> (660)
<b>PC836L</b>	20-22 ft <sup>3</sup> (815)	14-26 ft <sup>3</sup> (815)	17-21 ft <sup>3</sup> (750)	12-20 ft <sup>3</sup> (815)
<b>PC990L</b>	24-28 ft <sup>3</sup> (1065)	-	-	21-25 ft <sup>3</sup> (1065)



# SECOP COMPRESSORS

The Secop range of hermetic reciprocating compressors packs a mighty punch in a small package. Compact design, efficient motors and low energy consumption are the main features in hermetic compressors that build on over 50 years of reliability and quality.

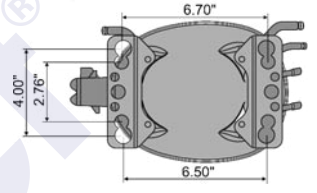
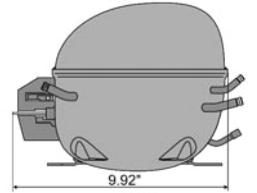
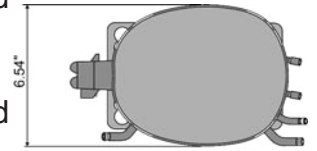
This chart contains information on Secop hermetic refrigeration compressors for fixed voltages ranging from 115 V to 240 V.

All of the compressor types are designed for refrigeration systems using the designated refrigerants listed below.

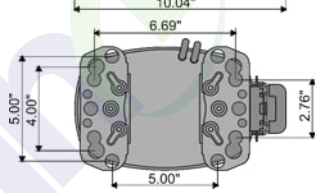
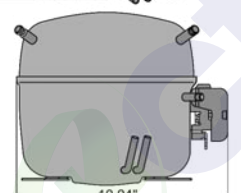
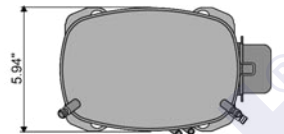
<u>Part No.</u>	<u>Capacity*</u>	<u>HP</u>	<u>Volts</u>	<u>H</u>	<u>Cross Reference</u>
<b>R134a Models</b>					
<b>TFS4.5FT</b>	477 LBP 1790 HBP	1/8	115	6.81"	EMI45HER AEA1338XYA EMI45HHR AEA3417YXA
<b>NF6.1FX.2</b>	722 LBP 2796 HBP	1/5	115	7.76"	FF8.5HBK AEA1360YXA FF7.5HBK AEA3425YXA
<b>NF7.3FX.2</b>	894 LBP	1/4	115	7.76"	FF10HBK
<b>NF8.4FX.2</b>	1032 LBP 3767 HBP	1/4	115	7.76"	NE2121Z AEA2410YXA FF10HBX AEA4430YXA
<b>NF11FX</b>	1101 LBP 4164 HBP	1/3	115	8"	NE2121Z AEA2410YXA NEK6187Z AEA4440YXA
<b>NF11FX.2</b>	1250 LBP 4840 HBP	1/4+ 1/3+	115	8"	FFI12HBX AEA2413YXA NE6210Z AEA4448YXA
<b>SC15G</b>	5606 HBP	1/2	115	8.23"	NT6213Z AEA4450YXA
<b>SC18G</b>	6291 HBP	1/2+	115	8.62"	NT6215Z AEA4460YXA
<b>R404a Models</b>					
<b>TF4CLX</b>	1530 LBP	1/5	115	6.81"	~ TP9415ZAA
<b>TFS4.5CLX</b>	929 LBP	1/4	115	6.81"	NEK2117GK AEA2380ZXA
<b>NF5.5CLX</b>	1250 LBP 3740 HBP	1/3	115	7.76"	NEK2121GK AEA2411ZXA NE6131GK AE4440Z
<b>NF7CLX</b>	1545 LBP 4760 HBP	1/3+	115	8"	NEK2125GK AEA2411ZXA NE6120GK AKA9438ZXA
<b>SC10CL</b>	1424 LBP	1/3	115	8.23"	NEK2134GK AEA2419ZXA
<b>SC12CL</b>	2382 LBP	1/2	115	8.23"	NEK2150GK AEA2425ZXA
<b>SC12CLX.2</b>	2472 LBP	1/2	115	8.23"	NT2168GKV AEA2425ZXA
<b>SC15CLX.2</b>	3011 LBP	3/4	115	8.62"	NT2178GKV AJB2433ZXA
<b>SC15CLX.2-2</b>	3011 LBP	3/4	240	8.62"	NT2178GKV AJB2433ZXA
<b>SC18CLX.2-2</b>	3666 LBP	3/4	240	8.62"	NT2180GKV AJB2444ZXD
<b>SC12MLX</b>	7909 HBP	1/2+	115	8.62"	NT6220GKV AKA9455ZXA
<b>SC12MLX-2</b>	7909 HBP	1/2+	240	8.62"	NT6217GKV AJA7455ZXD
<b>SC15MLX</b>	9433 HBP	3/4	115	8.62"	NT6222GKV AJE513ZHZ
<b>SC15MLX-2</b>	9433 HBP	3/4	240	8.62"	NT6222GKV AJE513ZHD1
<b>SC18MLX</b>	11135 HBP	1	115	8.62"	NT6224GKV ~
<b>SC18MLX-2</b>	11135 HBP	1	240	8.62"	NT6224GKV AJA7490ZXD

\*Capacity BTU/Hr. @ LBP @ -10°F, HBP @ 45°F

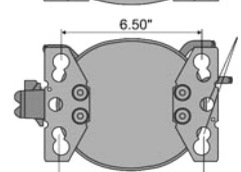
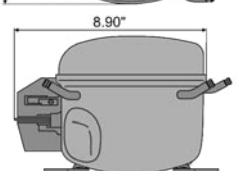
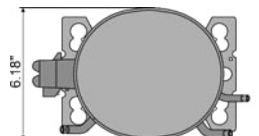
**SECOP**



**NF Series**



**SC Series**



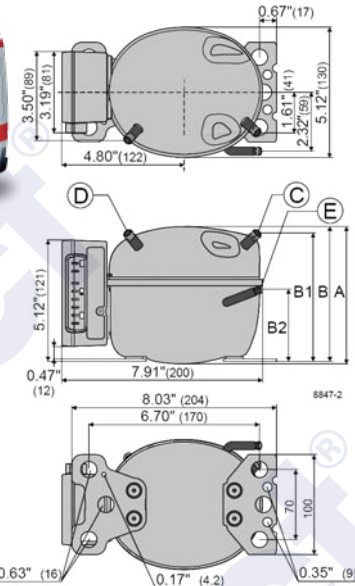
**TF Series**

# SECOP COMPRESSORS

BD compressors are direct current (DC) compressors for 12/24 V DC power supply. Can be used in mobile refrigerators and freezers using R134a refrigerant. Used for transportation of items from 0°F - 46°F. For Cooling boxes from 18 - 150 liters.

Designed to meet harsh road conditions of a chassis mounted refrigerator. They are unsurpassed in their ability to tolerate changeable climatic conditions and vibrations. Also used in equipment to transport medicines, vaccines, blood plasma and organs.

The electronic unit is mounted on the compressor, no additional mounting is required.



## SECOP

**Direct Current Compressor R134a, 12/24V DC  
-30°C, +10°C Evap. Temp. Controller Included**

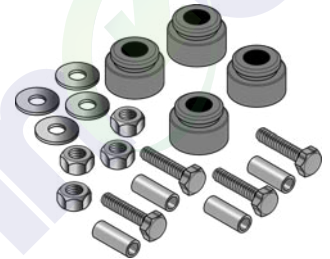
Part No.	Application	Cooling Capacity	H	Cross Reference
<b>BD35FHD2</b>	LBP/MBP/HBP	15 - 140 W 51.15 - 277.4 BTU/Hr	5.39"	101Z0205
<b>BD50F</b>	LBP/MBP/HBP	20 - 190 W 68.2 - 647.9 BTU/Hr	5.39"	101Z0203

## CONTROLLERS for BD35F/BD50F & MOUNTING KIT



Part No.	Description
<b>101N0212</b>	BD35/50F Controller
<b>101N0420</b>	Solar Controller
<b>101N0510</b>	AC/DC Controller

### 118-1949 Mounting Kit

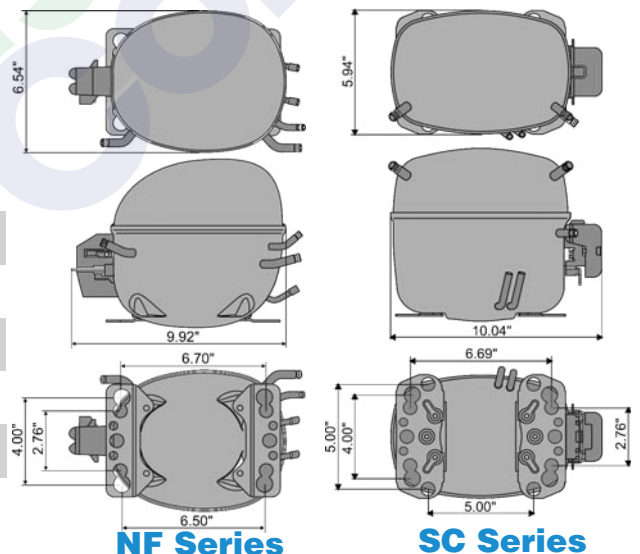


## SECOP

## COMPRESSORS for MANITOWOC

Part No.	Capacity*	HP	Voltage	Cross Reference
<b>NF7CLX-1</b>	1545 LBP	1/3+	115V	7601323, 8251193
<b>SC15MLX-1</b>	9433 HBP	3/4	115V	000002206
<b>SC15MLX-2</b>	9433 HBP	3/4	230V	000002207
<b>SC18MLX-1</b>	11135 HBP	1	115V	8253493

All above use R404a refrigerant



# HARD START KITS & START RELAYS

## START ASSIST Relay & Hard Start Capacitor

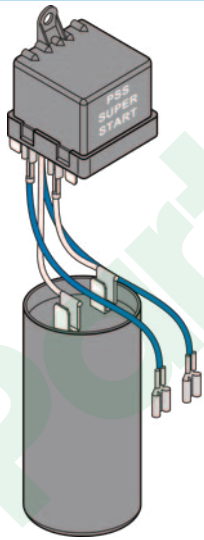


For systems with capillary tubes or fixed restrictors, a Positive Temperature Coefficient (PTC) hard start device is recommended. For applications where a backup safety timer is desired, use the PSA8 Electronic Potential Relay and Hard Start Kit.



Part No.	Replaces	HP Range	Boost	Voltage
<b>Positive Temperature Coefficient (PTC) Hard Starts</b>				
<b>PSA5</b>	SPP5	1/2 - 10hp	300%	120V - 288V
<b>PSA6</b>	SPP6	1/2 - 10hp	500%	90V - 277V
<b>PSA7</b>	SPP7S	1½ - 10hp	600%	115V - 288V
<b>Electronic Relay &amp; Hard Start Capacitor</b>				
<b>PSA8</b>	SPP8E	1/2 - 5hp	189-227µF	170V - 288V

## THE ULTRA SERIES 2-WIRE MECHANICAL POTENTIAL RELAY & HARD START KIT



For use on all Single Phase Reciprocating, Scroll and Rotary compressors; 208V, 230V & 265V

- OEM Approved Technology • Voltage Sensing
- Easy 2-wire installation • Instant Restart

Part No.	Application	Replaces
<b>PSS5</b>	1 to 3 hp	Kickstart TO-5, MPR5
<b>PSS1</b>	3.5 to 5 hp	Kickstart KS-1, MPR1

## 3-n-1 Complete Start Series • Relay-Start Capacitor-Overload

A must have for truck stock - reduce callbacks - replace 1/12 to 1/2 hp.

### Features

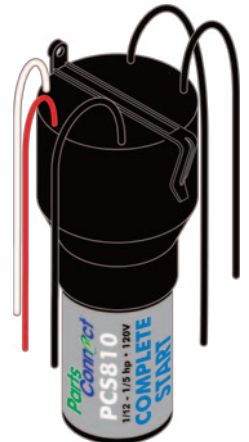
- Replaces relay, capacitor and overload for one low price
- Completely pre-wired, simply push on 3 female pin terminals
- "Push-on" compressor terminals, and 1/4" capacitor terminals
- Designed for modern high efficiency compressors
- Helps older compressors to start and run cooler
- Easy mount clip for quick installation
- Prevents low voltage starting problems
- Easy to read instructions

### Applications

- Domestic Refrigerator Compressors to 1/2 hp
- Light Commercial Refrigeration Compressors to 1/2 hp.
- Works on "RSIR", "CSIR", "PSC", & "CSR" compressors

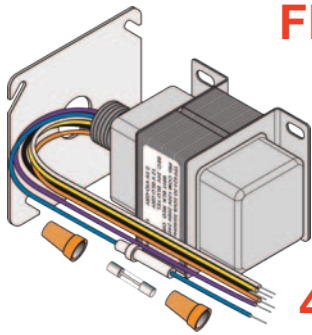
115 Volt  
Systems WITH or  
WITHOUT Run  
Capacitor

Part No.	HP	RLA	Replaces
<b>PCS210</b>	1/3 - 1/2 HP	12a	URCO210, TQS21, 600-210
<b>PCS410</b>	1/4 - 1/3 HP	6a	URCO410, RCO410, ERPU410, ERP410, 600-410, WRX-4, TQS41, HS41
<b>PCS810</b>	1/12 - 1/5 HP	3.5a	URCO810, RCO810, ERPU810, ERP810, HS81, WRX-8, TQS81, 600-810



# TRANSFORMERS

## FIT-ALL MULTITAP PLATE/FOOT MOUNT

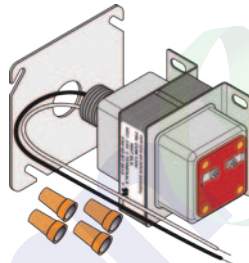


24 VOLT TRANSFORMER WITH 2.5 V GLOW COIL TAP  
 IDEAL FOR SERVICE TRUCK STOCK  
 HAS PRIMARY TAP OPTIONS OF 120, 208, & 240 VAC  
 AND SECONDARY TAPS FOR 24, 12, OR 2.5 VAC  
 RATED 50 VOLT-AMPERES MAXIMUM

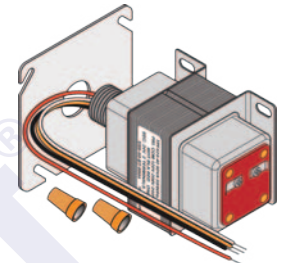
**TPF424-50**

## 40 VA PLATE/FOOT MOUNT 24V TRANSFORMERS

Primary	Part No.
120	<b>TPF124-40</b>
208/240	<b>TPF324-40</b>
120/208/240	<b>TPF424-40</b>

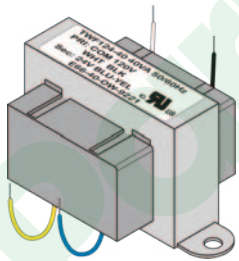


**Parts Connect**



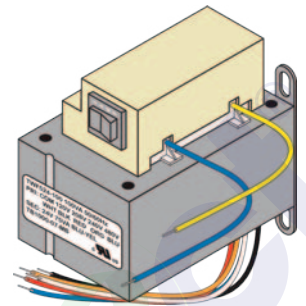
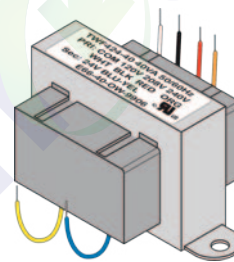
## LONG-WAY FOOT-MOUNT FOR SPACE-SAVING INSTALLATIONS

24 VOLT SECONDARY



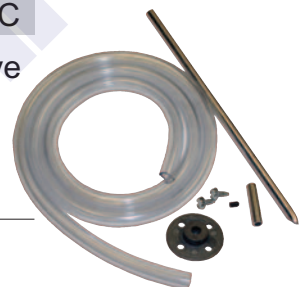
Primary	VA	Mounting Holes	Part No.
120	40	3 1/8"	<b>TWF124-40</b>
230	40	3 1/8"	<b>TWF224-40</b>
120/208/240	40	3 1/8"	<b>TWF424-40</b>
120/208/240/480	75	3 1/8"	<b>TWF524-75*</b>
120/208/240/480	100	3 1/8"	<b>TWF524-100*</b>

\*Fused Secondary



# AIR SENSING SWITCHES

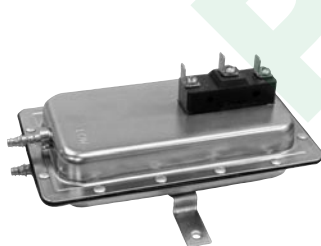
Part No.	Description	Range	Temp. Range	Rating
<b>PC020</b>	Field Adj.	0.10" to 10.0" wc.	-40F to 190F	1/10hp@120-277VAC
<b>PCS221</b>	Fixed Set Pt.	On Press. Rise At 0.05±0.02" w.c.	-40F to 180F	15 Amps noninductive 277VAC
<b>PC400</b>	Field Adj.	0.15" wc to 5.0" wc.	-40F to 180F	300VA Pilot Duty
<b>2374-495</b>	Field Adj.	0.25" wc to 1.0" wc.	-40F to 190F	115-277VAC 60Hz
<b>2374-498</b>	Field Adj.	1.0" wc to 4.0" wc.	-40F to 190F	
<b>PC460</b>	Field Adj. Manual Reset	0.40"wc To 12.0"wc.	-----	1/4hp@125VAC 1/2hp@250VAC
<b>PS606</b>	Universal Air Flow Sample Probe & Tubing Kit			



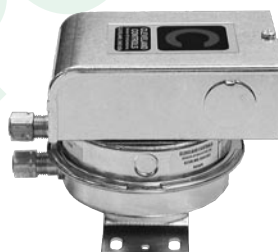
**PS606**



**PC020**



**PC221**



**PC400**



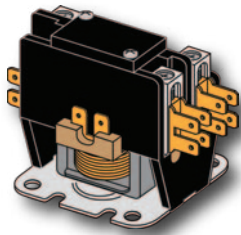
**2374-495**  
**2374-498**



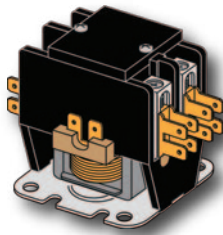
**PC460**



# CONTACTORS

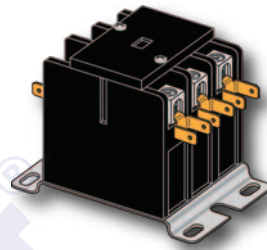


One Pole

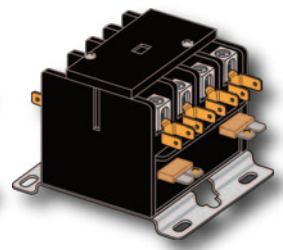


Two Pole

Parts  
Connect



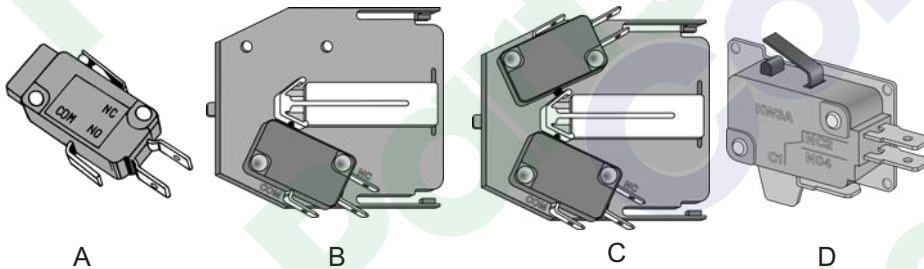
Three Pole



Four Pole

Coil <u>A = 24V</u>	Coil <u>B = 120V</u>	Coil <u>C = 240V</u>	<u>Poles</u>	<u>Full Load</u>	<u>Locked Rotor</u>	<u>Resistive</u>	<u>Auxiliary Switch</u>
PC130A	PC130B	PC130C	1	30	180	50	-
PC140A	PC140B	-	1	40	240	50	-
PC230A	PC230B	PC230C	2	40	240	50	-
PC240A	PC240B	PC240C	2	40	240	50	-
PC340A	PC340B	PC340C	3	40	240	50	-
PC350A	PC350B	PC350C	3	50	300	65	H6S or H7S
PC360A	PC360B	PC360C	3	60	360	75	H6S or H7S
PC375A	PC375B	PC375C	3	75	450	93	H9S
PC390A	PC390B	PC390C	3	90	540	120	H9S
PC440A	PC440B	PC440C	4	40	240	50	H6S or H7S

## AUXILIARY SWITCHES USED WITH 3 & 4 POLE CONTACTORS

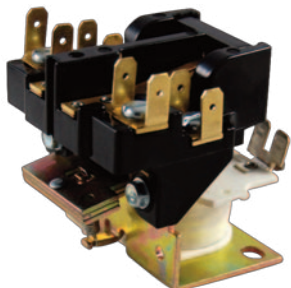


<u>Style</u>	<u>Part No.</u>	<u>Type</u>	<u>Amps</u>
B	<b>H6S</b>	SPDT	25-40
C	<b>H7S</b>	DPDT	25-40
A	<b>H8S</b>	SPDT	50-60
D	<b>H9S</b>	SPDT	70-90

- 10 Amp @ 1/3 HP, 125 or 250 VAC.
- 1/2 Amp @ 125 VDC.
- 1/4 Amp @ 250 VDC.

## MAGNETIC LINE CONTACTOR

DPST - N.O. 60/50 Hz  
(90-230,18001, MC11, 3ARR8E4)



Designed for use in Air Conditioning, Heating/Ventilating Control System, Motor Starting, Heating Element Operation, & Power Supply Control.

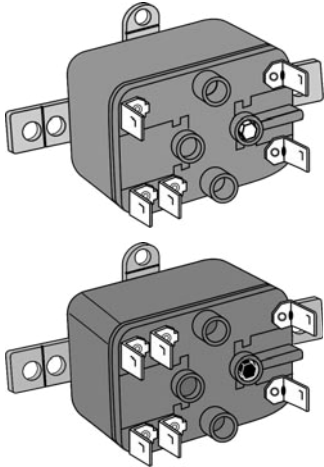
Coil 24 Volt • Full Load Amps 30 LRA • 120V Single Phase

**PCC18001**

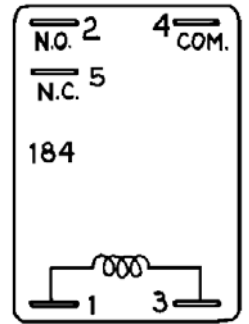
# RELAYS & MOTORS

## RBM STYLE RELAYS Type 184

Totally enclosed relays for fan motors and many general purpose applications.  
QUICK CONNECT - 1/4" SPADE TERMINALS



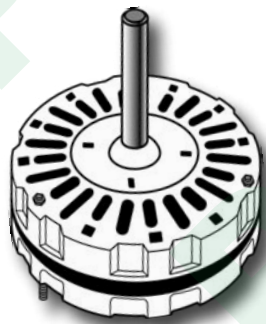
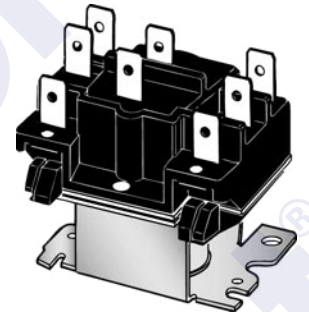
Switch	Wires	Coil	Part No.
SPST N.O.	4	24V	<b>PC90-360Q</b>
SPDT	5	24V	<b>PC90-370Q</b>
SPDT	5	120V	<b>PC90-372Q</b>
SPDT	5	208/230V	<b>PC90-374Q</b>
2P-1N.O., 1N.C.	6	24V	<b>PC90-380Q</b>
2P-1N.O., 1N.C.	6	120V	<b>PC90-382Q</b>
2P-1N.O., 1N.C.	6	208/230V	<b>PC90-384Q</b>



184 SERIES  
12 AMPS IND.  
18 AMPS RES.

## GENERAL PURPOSE RELAYS TYPE 91

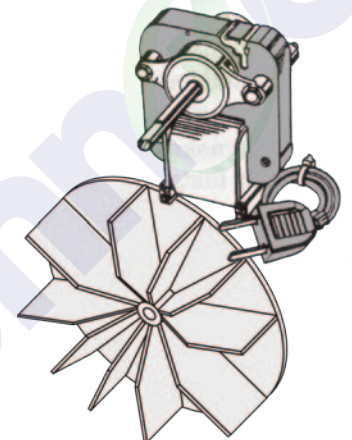
Part No.	Replaces Honeywell	Coil Volts	Switch	FLA@	
				120V	240V
<b>PC90-341</b>	R4222D1013	120	DPDT	12	6
<b>PC90-342</b>	R4222D1021	208/240	DPDT	12	6
<b>PC90-340</b>	R8222D1014	24	DPDT	12	6



## 97009317A 5" MOTOR FOR ROOFTOP VENTILATION

Shaded Pole • Air-Over  
1/8HP • 4.3A • 115V  
Body = 2 5/8" • Shaft = 1/2 X 2 5/8"  
1-Speed • CW • 1050 RPM

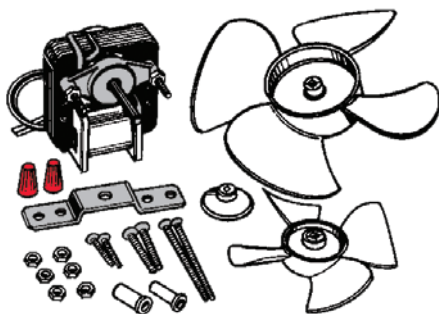
## WD100-550



## Vent Hood Motor

- 120V w 2-Prong AC Plug
- 1-Speed • CCW
- 7/8" Stack
- Fan Blade Included
- Shaft: 7/32" x 1 3/4"
- Replaces: Nutone C65878, VFM100, 33-100, EM550

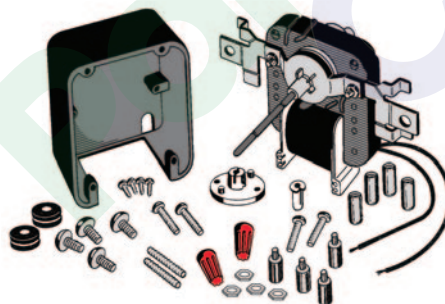
## EM670



## UTILITY FAN MOTOR

120V 1-Speed 5/8" Stack  
Shaft: 1 1/4" Long x 3/16" Dia.

## EM999



## UNIVERSAL EVAPORATOR FAN MOTOR KIT

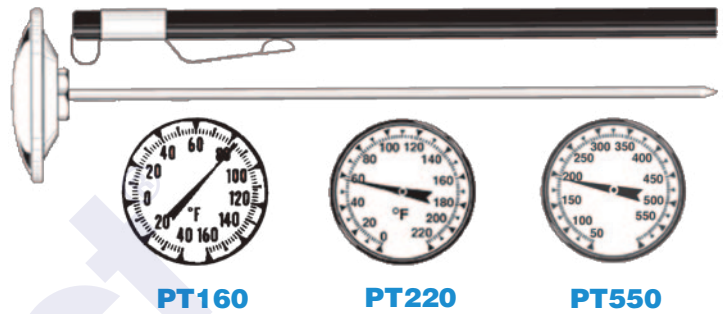
• 115V • 1-Speed

# THERMOMETERS & TOOLS

## MECHANICAL 1" DIAL POCKET THERMOMETERS

Part No.	Range
<b>PT160</b>	-40 - 160°F
<b>PT220</b>	0 - 220°F
<b>PT550</b>	+50 - 550°F

- 5" Stem
- Pocket Sheath & Clip
- Recalibrateable
- Magnifying Lens



## TOOL BAG WITH RUBBER BASE



**Parts Connect**

- Black/Red Tool Bag w/ Rubber Base
- Made of Strong 600D Polyester Material
- Rubber Bottom for Extra Protection
- Includes Shoulder Strap & Handle
- 10 Inside Pockets
- 14 Pockets, 2 Loops Surrounding Bag Outside

**PC13025**

## PC70051 6 IN 1 SCREWDRIVER

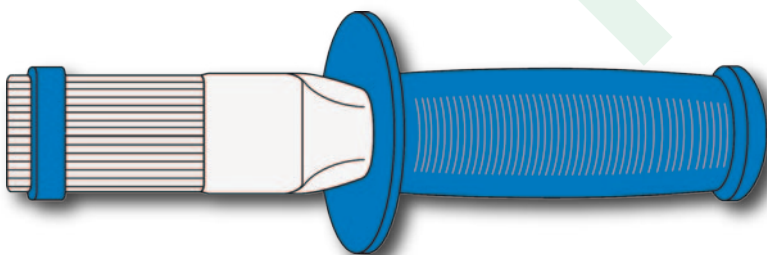
**Parts Connect**

- Includes Bit Sizes:  
Flat-Tip 3/16 & 1/4-Inch, Phillips #1 & #2  
Hex 5/16-Inch & 1/4-Inch
- Ergonomic Grip



**PTB550**

## CONDENSER FIN STRAIGHTENER TOOL



**Parts Connect**

Rubber Grip Handle  
with  
Knuckle Saver

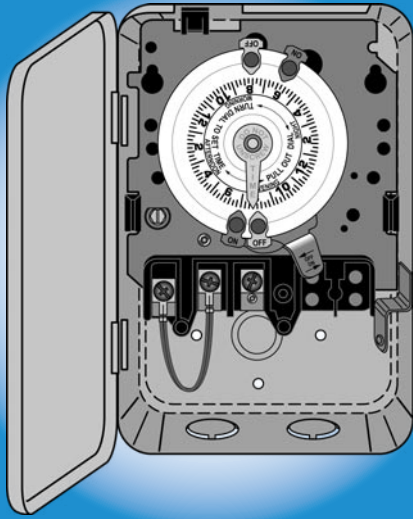
# GENERAL PURPOSE TIMERS

## 24 HOUR ELECTRO-MECHANICAL TIME CONTROLS

### Features:

- Dial: 24 Hour, 2 ON and 2 OFF trippers.
- Switch Rating: 2 hp at 120 volts and 5 hp at 240 volts.
- Operations: Up to 10 ON/OFF operations per 24 hours.
- Minimum Setting: 1 hr. between ON/OFF, 2 hr. between OFF/ON.
- Enclosure: Non corrosive NEMA 1.
- For additional tripper pairs, order part number **STPIN**.

- Steel Case Dimensions: 7.9" X 5.3" X 3"(20cm X 13.5cm X .7cm)
- Unit Weight: 2.87 lbs. (1300 grams)
- Temperature Range: -22°F to 158°F (-30°C to 70°C)



<u>Part No</u>	<u>Volts</u>	<u>Switch</u>	<u>Paragon</u>	<u>Intermatic</u>	<u>Precision</u>	<u>Supco</u>
<b>T101</b>	120	SPST	4001-00	T101	CD101	ST101
<b>T102</b>	240	SPST	4002-71	T102	CD102	ST102
<b>T103</b>	120	DPST	4003-00	T103	CD103	ST103
<b>T104</b>	240	DPST	4004-71	T104	CD104	ST104

# REFRIGERATION DEFROST CONTROL

### Features & Benefits

- Heavy-duty synchronous motor.
- Adjustable defrost initiation freq. 1 to 6/day
- Adjustable defrost duration: 4 to 110 min
- Contact Arrangements: Electric heat, hot gas, or off cycle defrost.
- Heavy duty steel case w/ knockouts sides, back & bottom
- UL recognized

### Specifications:

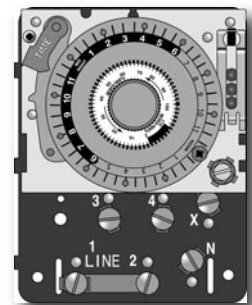
- 120 or 208/240 VAC 60 Hz
- 40 Amp non-inductive
- Maximum HP: 2HP
- Pilot Duty: 670VA
- Operating Temperature Range: -35°F to +175°F
- Case Dimensions: 7.697" H x 4.4" W x 3.8" D
- Weight: DT8141 Series 3.75 lbs.



### Time initiated - Pressure or Temperature Terminated

<u>Part No.</u>	<u>Voltage</u>	<u>NO</u>	<u>NC</u>
<b>DT814500</b>	120	1	1
<b>DT814520</b>	240	1	1

### Replacement Drop-In Mechanism

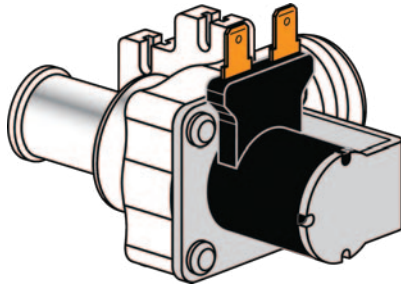


### **DT814520M**

for S814520 or 8145-20

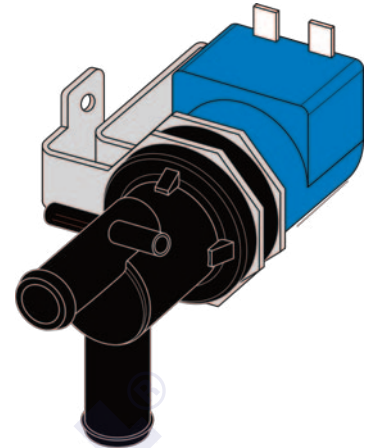
# HOSHIZAKI ICE MACHINE

## WATER VALVE



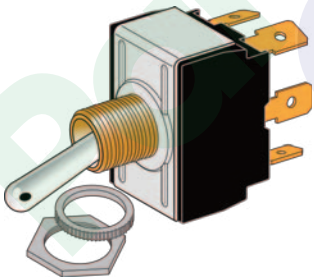
<u>Part No.</u>	<u>Reference</u>	<u>Valve</u>
<b>CI11101</b>	3U0111-01	J248-030
<b>CI11102</b>	3U0111-02	J248-032
<b>CI11103</b>	3U0111-03	J248-033
<b>CI11104</b>	3U0111-04	J248-072

## WATER SOLENOID VALVE 120V



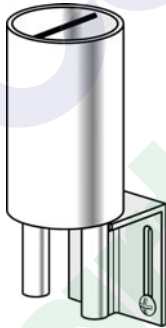
**CI32201**  
(439322-01)

## TOGGLE SWITCH



**CI11901**  
(443119-01)

## FLOAT SWITCH



**CI62401**  
(4A3624-01)

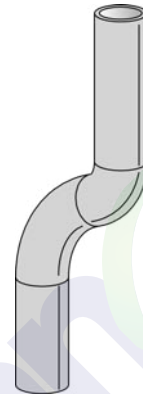
**CI62402**  
(4A3624-02)

## PUMP MOTOR ASSM.

**CI0613**  
(PA0613)

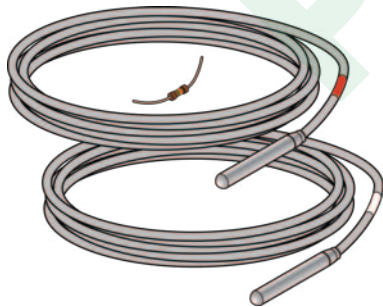


## SILICONE HOSE 1 FT.



**CI13812**  
(773013812)

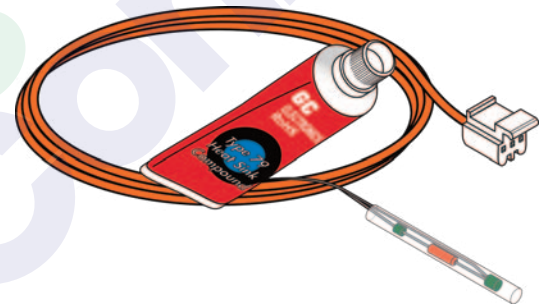
## THERMISTOR KITS



**CI3540**  
(HS-3540)

### WITH SEAL

**CI5005**  
(TS005)



## HINGE SPRING CARTRIDGE (RIGHT)



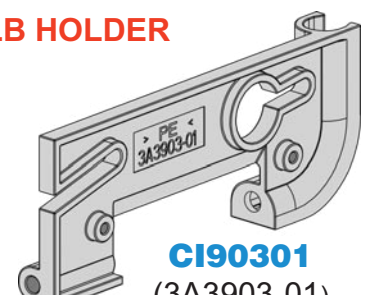
**CI43801**  
(4A0438-01)

## HINGE SPRING CARTRIDGE (LEFT)



**CI43802**  
(4A0438-02)

## BULB HOLDER

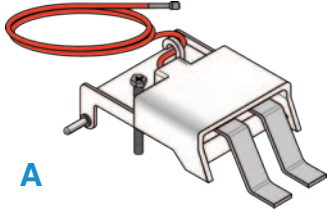


**CI90301**  
(3A3903-01)

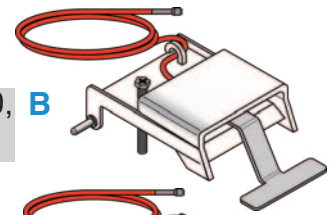
# MANITOWOC ICE MACHINE

## ICE THICKNESS SENSOR

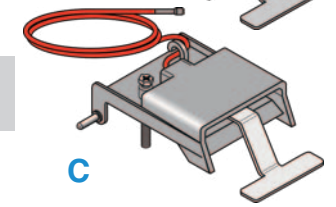
Part No.	Description	Series
<b>CI9963</b> (7619963)	A 1/4" Terminals 29" Wire Leads	E0200, E0400, E0600 G0150, G0600, G0800, H0200
<b>CI8029</b> (2008029)	B 5 3/8" X 3 1/4" 47" Wire Lead	CDV, JC, QY SD, SR, SY
<b>CI7813</b> (7627813)	B 4" X 3 1/4" White	BD, BR, BY, JD, JR, JY, PY, PD, QD, QR
<b>CI1603</b> (7601603)	C 4" X 3 1/4" Gray 14" Leads	Q, QD, QR, QY



A



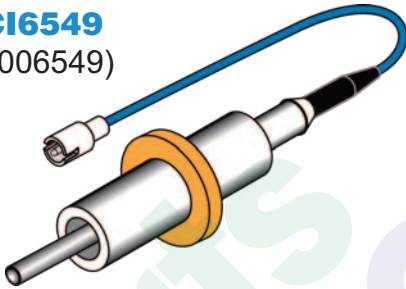
B



C

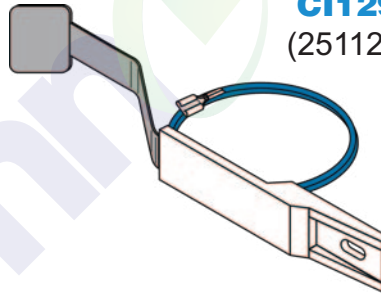
## WATER LEVEL PROBE

**CI6549**  
(2006549)



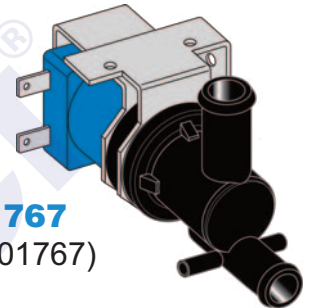
## WATER LEVEL PROBE

**CI1293**  
(2511293)



## DISPENSE VALVE 120V

**CI1767**  
(000001767)



## WATER INLET VALVE

**Part No.**    **Ref**    **Coil/Voltage**

**CI7965**    000007965    Blue - 120V

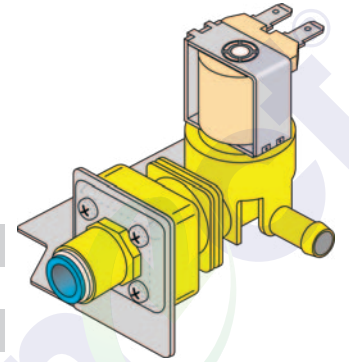
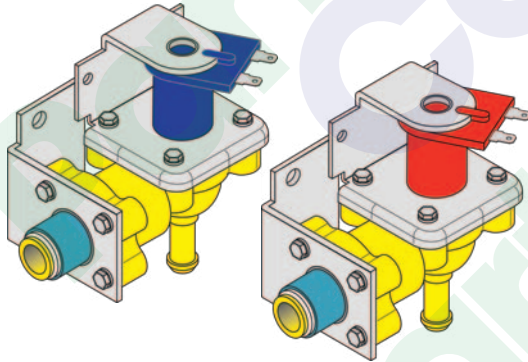
**CI7966**    000007966    Red - 240V

**Part No.**    **Ref**    **Coil/Voltage**    **Flow**

**CI9120**    000009120    Tan - 120V    0.5 gpm

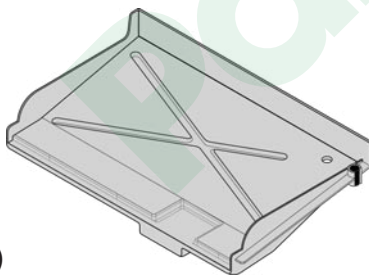
**CI9122**    000009122    Gray - 240V    0.78 gpm

**CI9123**    000009123    Tan - 120V    0.78 gpm



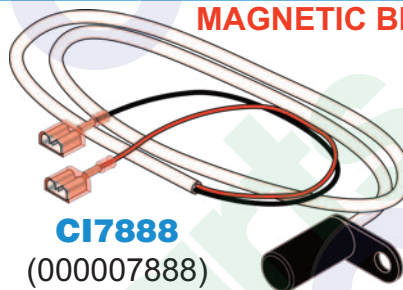
## WATER CURTAIN

**CI4643**  
(4304643)

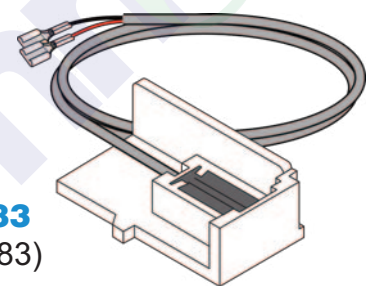


## MAGNETIC BIN SWITCH

**CI7888**  
(000007888)

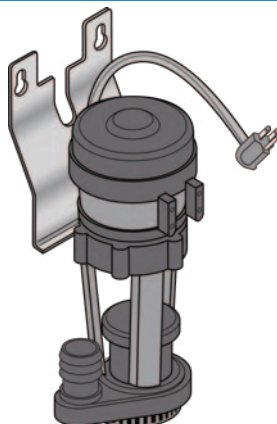


**CI1483**  
(2301483)

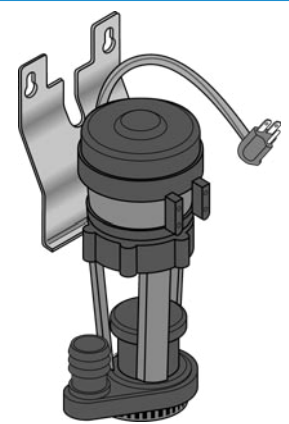


## WATER PUMP

**CI3063**  
(7623063)  
120V

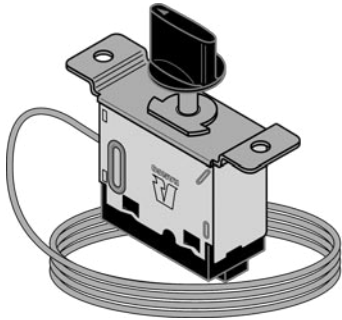


**CI6013**  
(7626013)  
230V



# SCOTSMAN ICEMAKER

## BIN THERMOSTAT CONTROL

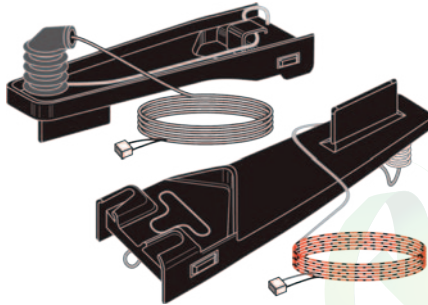


**CI42722**  
(11-0427-22  
A30-3722-00)

## ICE LEVEL CONTROL

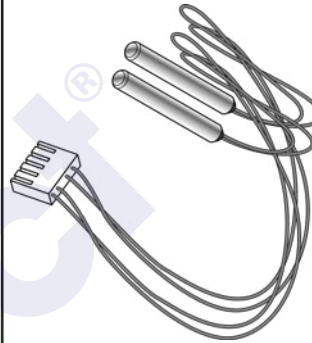
**MUST BE REPLACED AS A SET.**

One is a sender the other is a receiver. The one with the long (red & black) wires goes to the right side of the cabinet.



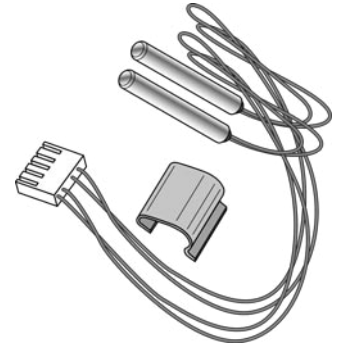
**CI54021**  
(11-0540-21)

## TEMPERATURE SENSOR



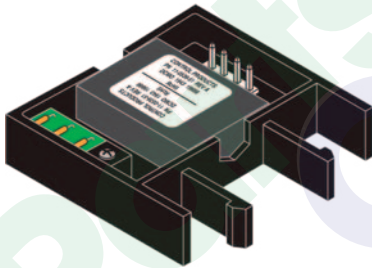
**CI54521**  
(11-0545-21)

## KIT W/CLIP



**CI41021**  
(02-3410-21)

## SUMP LEVEL CONTROL



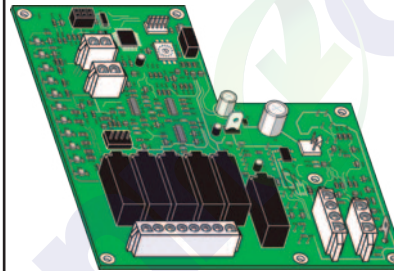
**CI53951**  
(11-0539-51)

## CM<sup>3</sup> SERVICE CONTROLLER



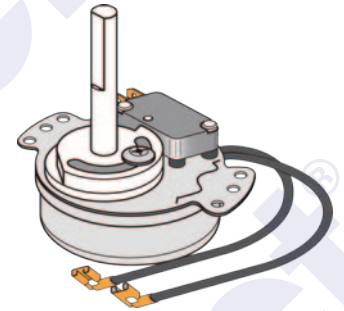
**CI83824**  
(12-2838-24)

## CONTROL BOARD (PRODIGY)



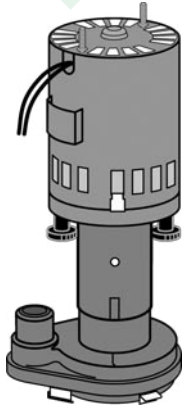
**CI55027**  
(11-0550-27)

## SWITCH & TIMER



**CI31721**  
(12-2317-21)

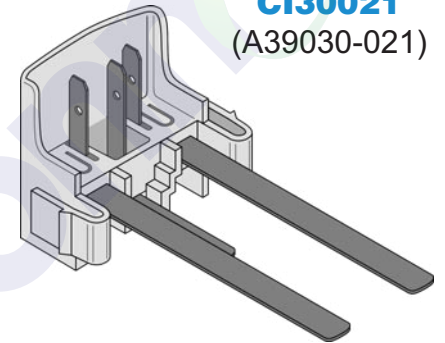
## PUMP ASSEMBLIES



Part No.	Ref No.	Voltage
<b>CI58621</b>	12-2586-21 GPP-4SC-1FSA	120
<b>CI58623</b>	12-2586-23 GPP-4SC-2FSA	240
<b>CI58627</b>	12-2586-27 GPP-4SC-1FSC	120 (4.39 gpm)
<b>CI71421</b>	12-2714-21 GPP-6SC-4FS	240

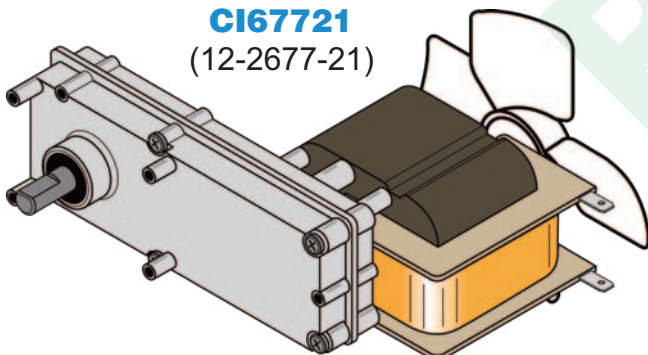
## WATER LEVEL SENSOR

**CI30021**  
(A39030-021)

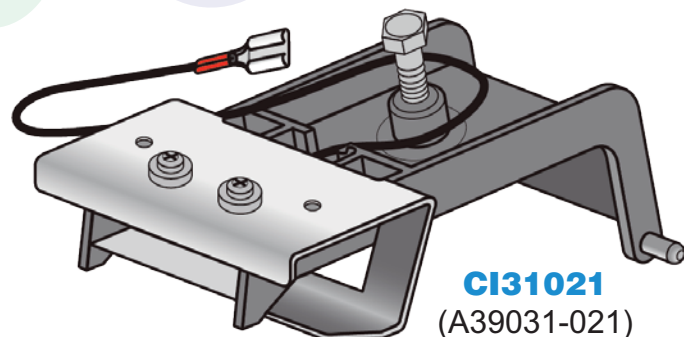


## GEAR MOTOR WITH FAN 115V

**CI67721**  
(12-2677-21)



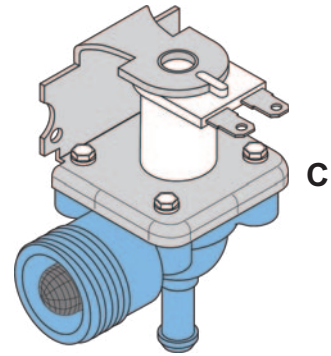
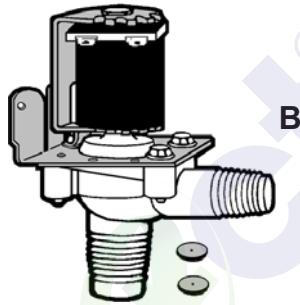
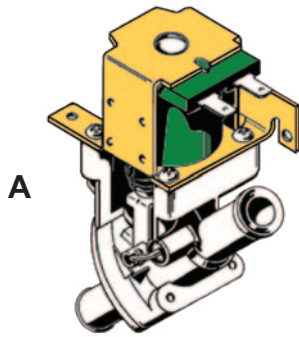
## ICE THICKNESS SENSOR



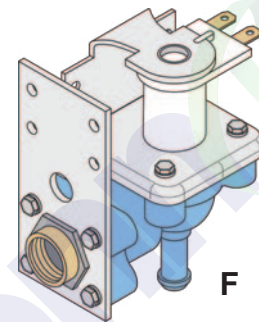
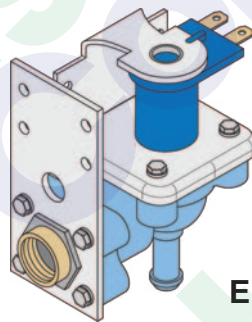
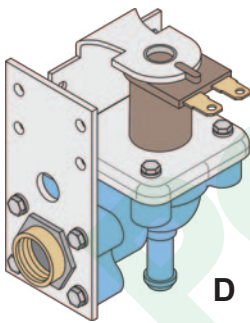
**CI31021**  
(A39031-021)

# SCOTSMAN ICEMAKER

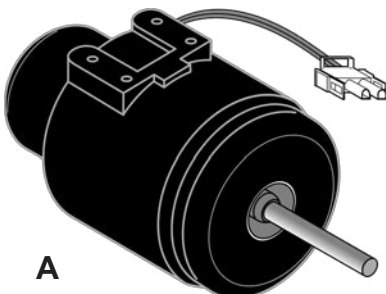
## WATER VALVES



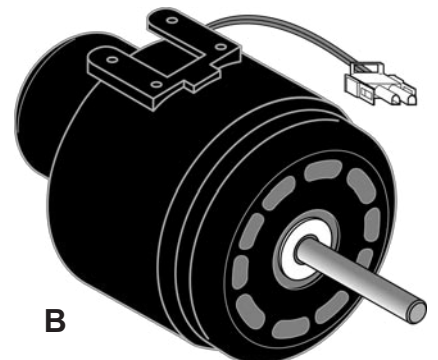
Pic	Part No.	Ref No.		Coil	Coil Volt-	Type
A	<b>CI51401</b>	11-0514-01	IMV1401	Green	120	Dump
A	<b>CI51402</b>	11-0514-02	IMV1402	Red	240	Dump
B	<b>CI64601</b>	12-1646-01	IH2005	Black	120	Inlet
C	<b>CI44626</b>	12-2446-26	IH2010A	White	240	Inlet
D	<b>CI54801</b>	12-2548-01	IH2548-01	Brown	24	Inlet
D	<b>CI66601</b>	12-2666-01	IH2666-01	Brown	24	Inlet
E	<b>CI92201</b>	12-2922-01	IMV2201	Blue	115	Inlet
F	<b>CI92202</b>	12-2922-02	-	White	240	Inlet



## CONDENSER MOTORS



Pic	Part No.	Ref.	Voltage
A	<b>CI5050</b>	18-5505-01	115
A	<b>CI5051</b>	18-5505-11	230
B	<b>CI8290</b>	18-8829-01	230





# IM70 ICE MACHINE



• Affordable • 70 lb. per day capacity • 15" Wide

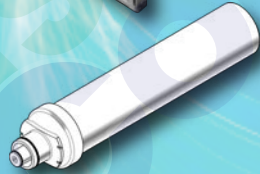


- 27 lb. Capacity Removable Storage Bin
- LED Light • Adjustable Ice Sizes
- 15" Width • 24" Deep • 33¼" High
- Reversible Brushed Stainless Steel Door
- Built-In Filter • Front Venting
- Wash Cycle • 1 Year Warranty

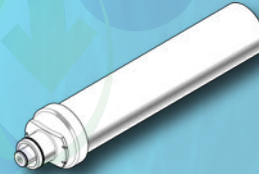


Complete with:

- Ice Scoop
- 9' installation Hose
- Drain Hose



**PAL5641P**  
Built-In Filter for IM70



Equipped with casters in the front & back for easy relocation. Leveling legs are also located in the front. Screw the leveling legs clockwise until the front casters touch the ground. When the desired location is reached, screw the leveling legs counter-clockwise lifting the front casters off the ground.

## COMMERCIAL ICE MACHINE FILTERS

### COMMERCIAL ICE MACHINE FILTER

CHLORINE TASTE & ODOR REDUCTION  
WITH SCALE INHIBITOR

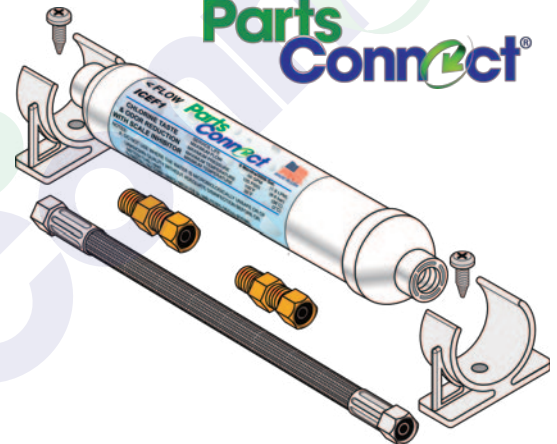
12" Long x 2" Dia.

SERVICE LIFE	6 Months/2000 Gal.	
MAXIMUM FLOW	.50 GPM	(1.9 LPM)
MAXIMUM PRESSURE	125 PSIG	(8.6 bar)
MAXIMUM TEMPERATURE	100°F	(38°C)
MINIMUM TEMPERATURE	35°F	(2°C)

Part No.	Description
<b>ICEF1P</b>	12" lg. x 2" dia. Filter (Chlorine, Taste, Odor Reduction)
<b>ICEKIT</b>	Filter Kit w/Fittings, Mounting Clips & 12" Hose

Kit Includes:

- 1 - **ICEF1P** Filter
- 2 - **C68-4-4** Lead Free Fitting 1/4" Comp. X 1/4" MPT
- 2 - **PFO-2** Clip
- 2 - **Mounting Screw**
- 1 - **LAB1912** 1/4" Comp X 1/4" Comp. Braided, Hose 12" Long



System Tested and Certified by NSF International against ANSISF Standard 42 For the reduction of Chlorine, Taste, & Odor



Parts Connect®  
Parts Connect®  
Parts Connect®

# Spring 2020 HVAC/R

[www.parts-connect.com](http://www.parts-connect.com)